

# AUTO DRAIN VALVE

## 5 BIG ADVANTAGES

- HIGHEST POWER / CAN OUT THE BIG OF WATER.
- CAN SEPARATE THE WASTE MATERIALS.
- EASY TO TAKE APART FOR CLEANING.
- CAN SUCK LARGE AMOUNT OF WASTE WATER ALL OF IT.
- DESIGNED AND ANTI-STOP MACHINE.

## FEATURE — 5 KINDS

- CAN AUTOMATIC
- CAN MANUAL
- CAN ARRANGE EXTRA PARTS
- CAN DO PRESSURIZE
- CAN RECYCLE WITHOUT POWER



**K-900-A6**

**K-908-A20**



**K-908-A8**



**K-908-A9**



**K-908-A16**



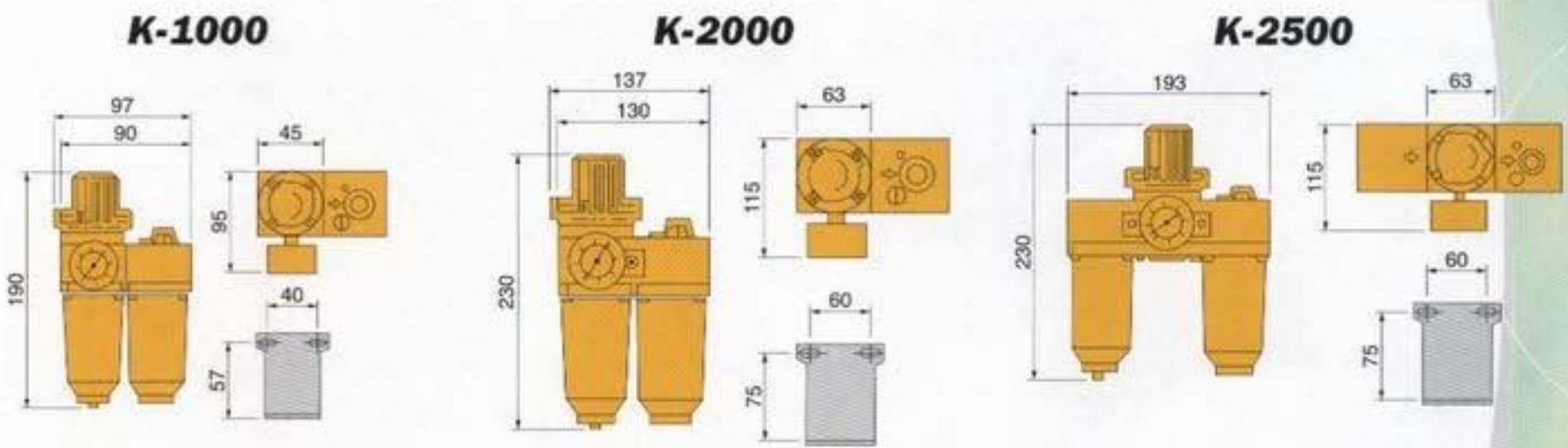
## AUTO DRAIN VALVE MANUAL

MODEL	AIR PRESSUSE (kgf/cm <sup>2</sup> )	DRAINAGE	TEMPERATURE	INLET	OUTLET	USAGE	CLEANER	OUTLOOK (mm)	WEIGHT (kg)
<b>K-900-A6</b>	2~8	20 cc	10°~60°C	1/2"		Air Filter Air Dryer	Soft Solvent	63□ x 150	0.5
<b>K-908-A8</b>	2~9	130 cc	10°~63°C	1/2"	1/4"			110□ x 220	1.3
<b>K-908-A9</b>	2~9	100 cc	10°~63°C	1/2"				110□ x 240	1.3
<b>K-908-A16</b>	3~9	160 cc	10°~63°C	1/2"	1/4"	Air Tank Compressor	Soft Solvent	110□ x 220	1.9
<b>K-908-A20</b>	3~16	160 cc	10°~68°C	1/2"	1/4"			110□ x 220	2.0

\*A6, A8, A9, A16 plastics parts avoid organic solvent.

\*Dirty discharge 10 days hand discharge.

# F.R.L. COMBINATION



MODEL	K-1000	K-2000	K-2500
Port size	1/4" PT	3/8" (1/2") PT	3/8" (1/2") PT
Applied fluid	Air of pressure	Air of pressure	Air of pressure
Max. pressure	10 kgf/cm <sup>2</sup> (140 psi)	10 kgf/cm <sup>2</sup> (140 psi)	10 kgf/cm <sup>2</sup> (140 psi)
Range of pressure	1.0~9.0 kgf/cm <sup>2</sup>	1.0~9.8 kgf/cm <sup>2</sup>	1.0~9.8 kgf/cm <sup>2</sup>
Filterable	5~50 micron	5~50 micron	5~50 micron
Dropped flow/minute	980 l / minute	1200 l / minute	1250 l / minute
Ambient temperature	5°~50° C	5°~50° C	5°~50° C
Discharge method	Broken pressure auto discharge or hand discharge		
Lubrication method	Spraying from 25 l / minute	30 l / minute	30 l / minute
Storage	40 C.C.	120 C.C.	120 C.C.
Usable oil	VG-32 or OM-300A	VG-32 or OM-300A	VG-32 or OM-300A
Weight	1.1 kg	2.1 kg	2.9 kg

# DURABLE & NEVER BROKEN F.R.L. UNIT



**K-3000**



**K-3500**



**K-4000**



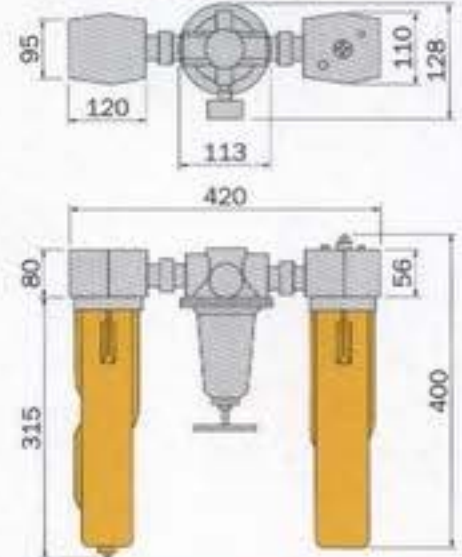
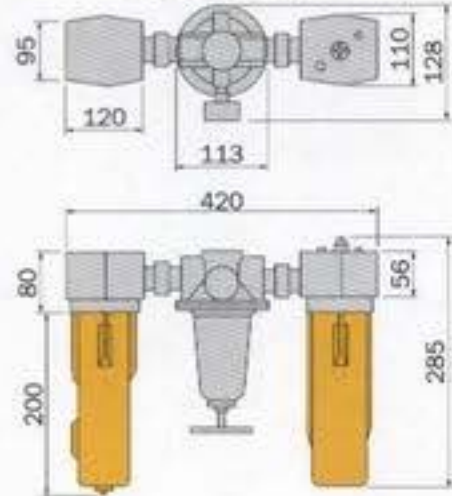
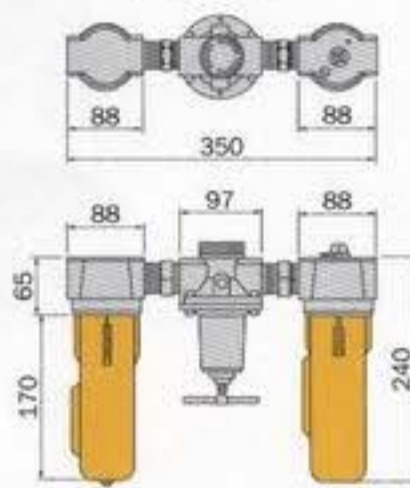
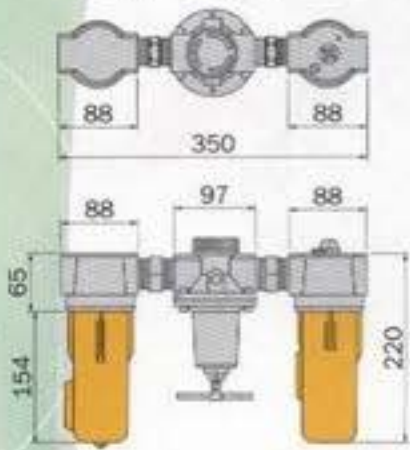
**K-5000**

**K-3000**

**K-3500**

**K-4000**

**K-5000**



MODEL	K-3000	K-3500	K-4000	K-5000
Port size	1/2" (3/4") PT	3/4" PT	1" PT	1" PT
Applied fluid	Air of pressure	Air of pressure	Air of pressure	Air of pressure
Max. pressure	12 kgf/cm <sup>2</sup> (170 psi)	12 kgf/cm <sup>2</sup> (170 psi)	12kgf/cm <sup>2</sup> (170 psi)	12 kgf/cm <sup>2</sup> (170 psi)
Range of pressure	1.0~9.9 kgf/cm <sup>2</sup>	1.0~9.9 kgf/cm <sup>2</sup>	1.0~9.0 kgf/cm <sup>2</sup>	1.0~9.5 kgf/cm <sup>2</sup>
Filterable	5~50 micron	5~50 micron	5~50 micron	5~50 micron
Dropped flow/minute	3500 l/minute	5000 l/minute	8000 l/minute	10000 l/minute
Ambient temperature	5°~65°C	5°~65°C	5°~65°C	5°~65°C
Discharge method	Broken pressure auto discharge or hand discharge			
Lubrication method	Spraying from 30 l/minute	30 l/minute	Spraying from 35 l/minute	35 l/minute
Storage	300 C.C.	400 C.C.	1000 C.C.	1800 C.C.
Usable oil	VG-32 or OM-300A	VG-32 or OM-300A	VG-32 or OM-300A	VG-32 or OM-300A
Weight	3.7 kg	4.0 kg	8.5 kg	9.2 kg

# AIR LINE FILTER EQUIPMENT

## KPF PRE FILTER

Remove serious pollute water.  
Use : protect evaporator of refrigerate dryer without being blockade to cause effective refrigeration.

## KLF LINE FILTER

Remove water after refrigerate.  
Use : protect air line without being corrode by moisture.

## KGF END FILTER

Secure the pure & clean compressed air.  
Use : prevent dirts in air line to protect filter.



Grade	Model No.	Flow 100 psi / 7 kg (l/min CFM)	Pipe conns	Outlook (L x H mm)	Weight (kg)
KPF	150-4	1500 (53)	1/2"	90 Ø x 220	0.9
	200-6	3000 (106)	3/4"	90 Ø x 250	1.0
KLF	200-8	4000 (140)	1"	90 Ø x 250	1.0
	250-8	5000 (175)	1"	120 Ø x 330	3.0
KGF	250-10	6000 (210)	1 1/4"	120 Ø x 330	3.2
	300-10	7000 (240)	1 1/4"	120 Ø x 430	3.8

# PHYSICAL AIR DRYER PACK - GW

## DEHUMIDIFYING FILTER & DRYER OF COMPRESSED AIR

Rapidly separating condensed steam and dew point water drops in order to achieve the effects of air dryer and filters.  
Dampness will pollute air it can remove & filter all moisture water, oil moisture heavy metal grained carbon residues caused by the compressor.



MODEL NO.	Pipe conns	Flow 100 psi / 7 kg (l/min CFM)	Outlook (L x H mm)	Weight (kg)	Element No.
GW-250	3/4"	3200 (110)	120 Ø x320	3.5	E-200-6
GW-300	1"	4200 (150)	120 Ø x420	4.4	E-200-6
GW-350	1 1/4"	5000 (180)	120 Ø x420	4.5	E-250-8

# AIR & OIL CYLINDERS ACCESSORIES FLATING JOING AND SILENCED VALVES



	FLATING JOING (T)	
	SF-14T1.5P	
	16T	
	18T	
	SF-20T1.5P	
	22T	
	24T	
	SF-26T1.5P	
	27T	
	30T	

	FLATING JOING (F)	
	SF-14F1.5P	
	16F	
	18F	
	SF-20F1.5P	
	22F	
	24F	
	SF-26F1.5P	
	27F	
	30F	

	FLATING JOING (L)	
	SF-14L1.5P	
	16L	
	18L	
	SF-20L1.5P	
	22L	
	24L	
	SF-26L1.5P	
	27L	
	30L	

	PORT FLOW SPEED CONTROL VALVES WITH SILENCER	
	Model Number	Size
	SF-201	1/8" PT
	SF-202	1/4" PT
	SF-203	3/8" PT
SF-204	1/2" PT	

	PORT FLOW SPEED CONTROL VALVES WITH SILENCER	
	Model Number	Size
	SF-301	1/8" PT
	SF-302	1/4" PT
	SF-303	3/8" PT
	SF-304	1/2" PT
SF-308	1" PT	

	SILENCER VALVES	
	Model Number	Size
	SF-401	1/8" PT
	SF-402	1/4" PT
	SF-403	3/8" PT
	SF-404	1/2" PT
	SF-406	3/4" PT
	SF-408	1" PT

# WIPPING PAPER IMPORTED FROM USA

## QUALITY

- Good in sucking oil and water.
- Good resilience, not easy to broke and no hards or pilled.
- Soft and lustrous after wipping and no static electricity.
- Made by pure paper pulp, no fluorescence and harmless.
- Can be used repeatedly after washing, cherish the natural resources and protect the earth.

## THE RANGE OF SUITABLE FOR USE

Machine, model, apparatus, screen, glass, containers, electronic parts, printing painting, machine, electro-plating, laboratory, dustless room.

## PACKING LIST

- 10" x 5 kg /2 ROLLS/1 CTN.
- 10" x 4 kg /2 ROLLS/1 CTN.



WIPPING PAPER